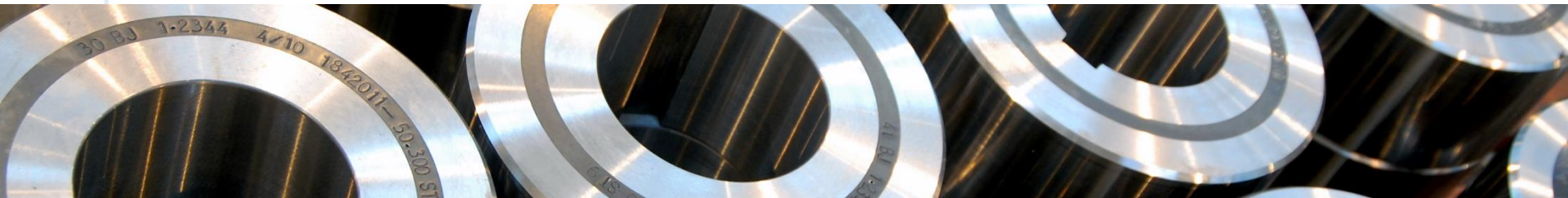


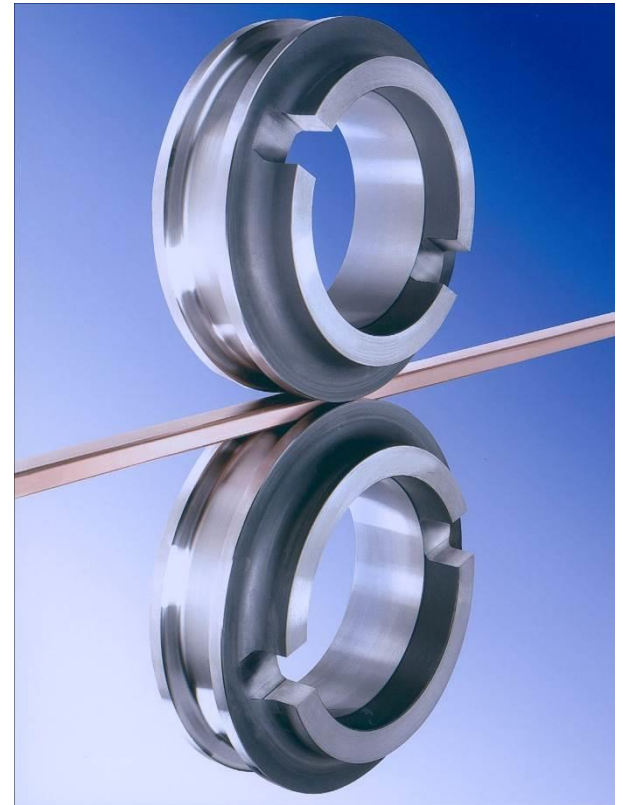
BOWERS & JONES

Tools for Copper and Aluminium



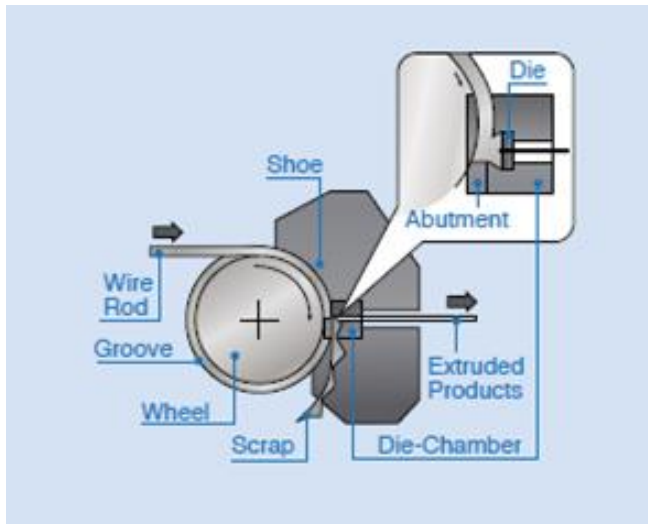
Rolls for Copper Rod

- Usually utilised on continuous casting rolling line e.g. Contirod, Southwire, Continuous Propertizi lines
- Extremely demanding process on the rolls



Wheels for Extrusion

- Wheels for Continuous Rotary Extrusion Process (CRE)
- The process utilises friction to generate heat which plasticises the feed stock being extruded.
- Used for small to medium sized profiles of copper and aluminium.



Advantages

- Range of Specially designed Hot Working Tool Steels
- Very fine homogenous structure, high degree of purity
- High levels of purity combined with specific heat treatment process.
- Good high temperature strength, high toughness and high resistance to thermal cracking.

H13



DCM-HP1
Premium



Selection of High Performance Grades

Characteristics of DCM-HP1 grades

- Cr,Mo,V based hot working tool steels.
- High degree of purity very low content of trace elements.
- High hot working strength and increased toughness
- Good thermal conductivity and high resistance to thermal cracking

Typical Applications

- Suitable for hot applications with a high bending load and/or thermal shock.
- Copper rod rolls and extrusion tooling

Recommended materials	Material No.	AISI (ASTM)	Suited For*	Nominal Analysis						
				C	Si	Mn	Cr	Mo	Ni	V
DCM-HP1	-	-	CR +CRE	0.36	0.30	0.30	5.10	2.50	-	0.55
DCM-HP1Premium	-	-	CR + CRE	0.36	0.20	0.40	5.10	2.35	-	0.55
WM 28	1.2365	H10	CR	0.32	0.25	0.30	3.00	2.80	-	0.55
WM 30	1.2367	-	CR + CRE	0.38	0.40	0.40	5.00	3.00	-	0.55
DCV	1.2344	H13	CR + CRE	0.40	1.05	0.40	5.20	1.35	-	1.00

* CR - Copper Rod Rolls, CRE - Continuous Rotary Extrusion Wheels

- A choice of the best suitable options depends on several factors
- Our technical staff are available to give further advice.

Benefits

- DCM-HP1Premium grade offer significantly longer service life.
- Increased meters rolled, less down time.
- Suitable for highly demanding applications (where normal grades cannot perform)
- DCM-HP1Premium can last more than double the life of a H13 roll

Our Competitors Tool Life

Bowers & Jones tools on average last much longer

Bowers & Jones Tool Life

**Tool Steel
Quality**

**Heat
Treatment**

**Chemical
Composition
of material**

**Surface
Condition**

Tool Design

For more information on our
products and services
visit our website

www.bowersjones.co.uk

BOWERS & JONES

Rolls • Design + Manufacture