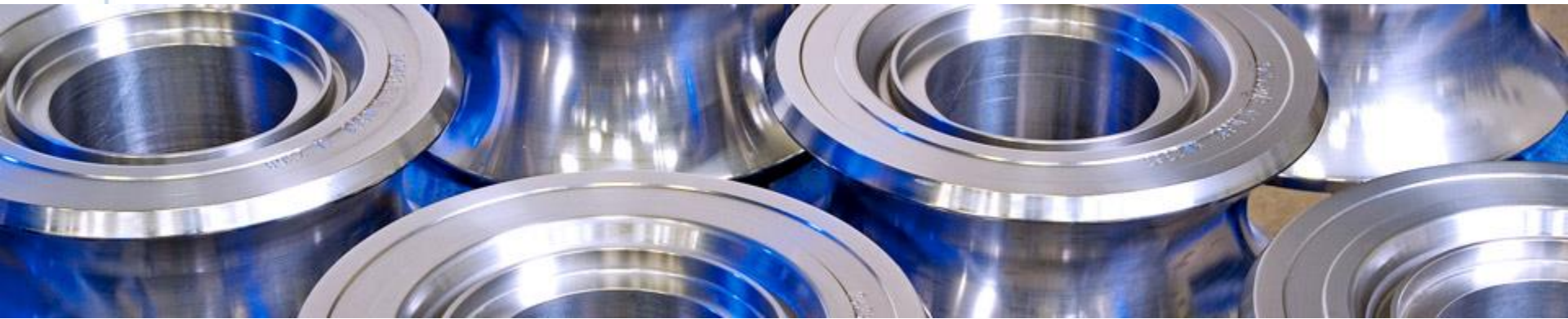


# Bowers & Jones Limited

Design and Consultancy Services

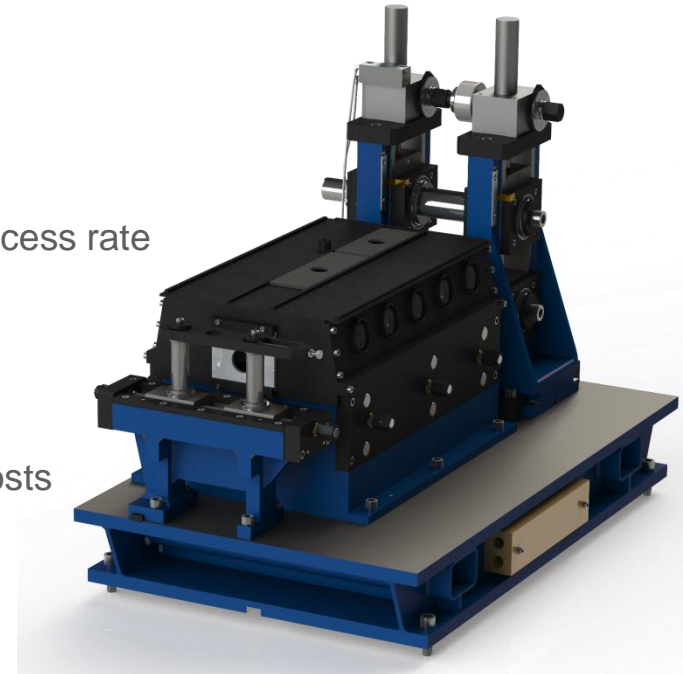


**BOWERS & JONES**

Rolls • Design + Manufacture

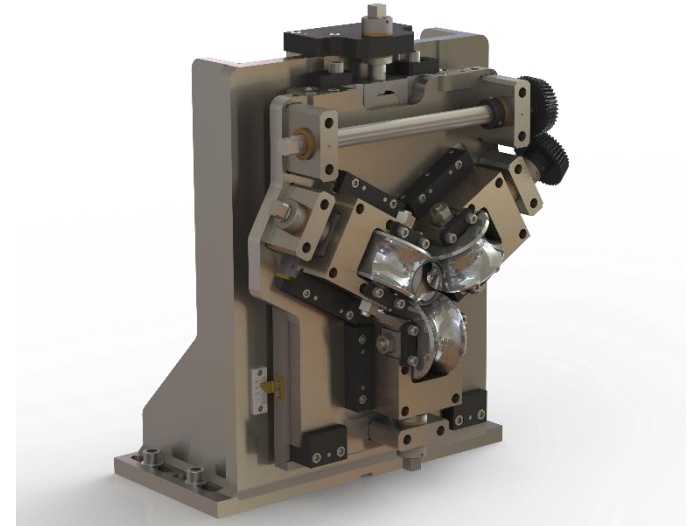
# We offer customers a full range of services...

- Team of highly skilled and experienced Engineers who can:
- Design rolls and all engineering parts, all shapes and sizes
  - Design new
  - Re-design – problem solving
  - Splitting solid rolls and shafts
  - All ancillary parts and components
- Carry out feasibility studies
  - Using simulation and FEA systems
  - Benefits are low cost, short time scales and high success rate
- Problem solve and trouble shoot
  - Product quality problems
  - Productivity issues on the mills
  - Improving productivity, improving quality, reducing costs
- Deliver training
  - Mill setting and problem solving



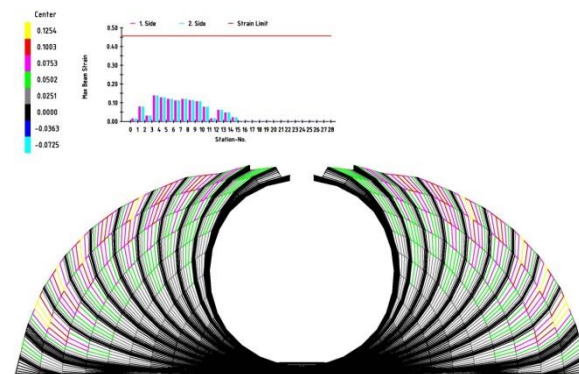
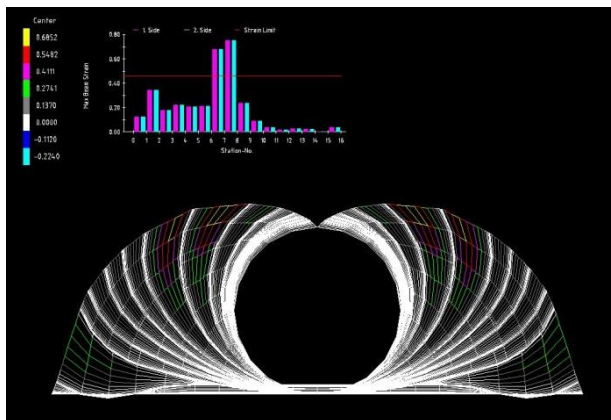
# Design Capabilities

- Full range of tube, pipe and roll formed section mill sizes and shapes
- Rolls for tube and bar straightening
  - Re-engineering of existing rolls
  - Correcting poorly detailed roll profiles
  - Splitting one-piece designs into separate rolls & shafts (with/without spacers)
- All mill ancillary parts
  - Dies, jaws, cutt-off blades
  - Shafts, spindles, yokes etc.
- Offer new design and reverse engineering service for
  - Leveling equipment
  - Accumulators
  - Strip entry guides and tables
  - Bar peellers
  - 3 roll bending machines
  - All other parts associated with rolling tube and section.



## Feasibility Studies

- Using our expertise and FEA tools we can simulate your process or line and carry out what if analysis to:
  - Simulate current problems and then redesign rolls improve performance
  - Test different materials (mild steel, high and ultra high strength steels, stainless steel, copper)
  - Prove new roll design, confidence in design
- We draw together all of the experience we have gained from previous jobs to refine our designs and apply this knowledge to our future projects.
  - Use COPRA RF & FEA 2013
  - Flower pattern design, DTM simulation, Virtual rolling mill simulation

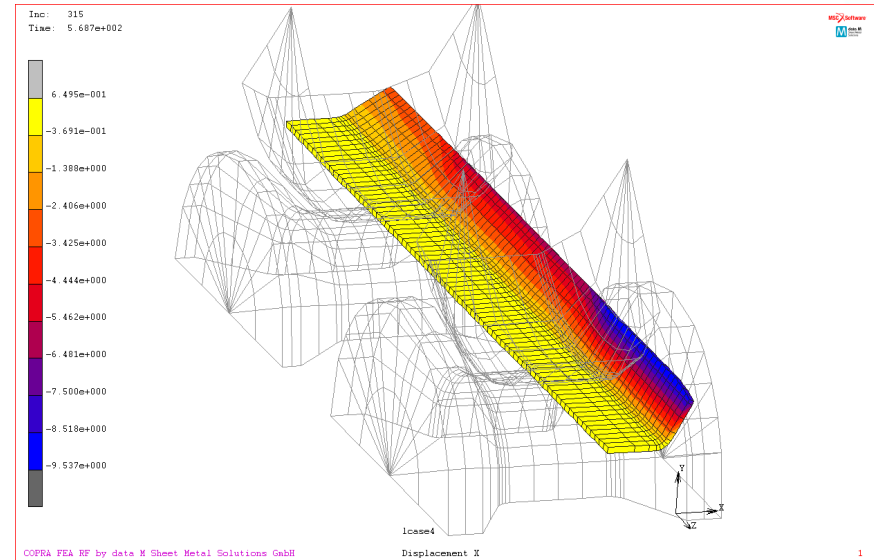


# Trouble shooting, Problem Solving & Training

- On site evaluations of current production equipment
- Using over 40 years of tube & section rolling and design experience
- Vast range of knowledge across all fields
  - There isn't much we haven't seen before and have a solution for.
- Full technical evaluation of the problems and recommendations
  - We don't just look at the roll tooling
  - We evaluate the set up and alignment
  - Line configuration
  - Operator knowledge/skill levels (offer training if needed)
  - Identify worn parts not just the tolling,
- Our engineers can then follow this up with a range of services including:
  - Line refurbishment and realigning
  - On site operator training
  - Regular maintenance and breakdown service
- *Improve product quality, productivity and reduce production costs.*

# References

- Fine Tubes Ltd.
- Fusion Systems
- Hampton Steel Sections
- Liberty Precision Tubes
- Marcegaglia
- MC AAA Ltd.
- Sosta GmbH & Co. KG
- Tata Steel Nederland Tubes BV
- Top Tubes Ltd.
- Victrex Manufacturing Ltd.
- Wreham Mineral Cables
- And many more.....



For further information

visit our web site

[www.bowersjones.co.uk](http://www.bowersjones.co.uk)

**BOWERS & JONES**

Rolls • Design + Manufacture